

Southwestern Battery Supply Co. Inc.

BUSS BAR CLAMPS

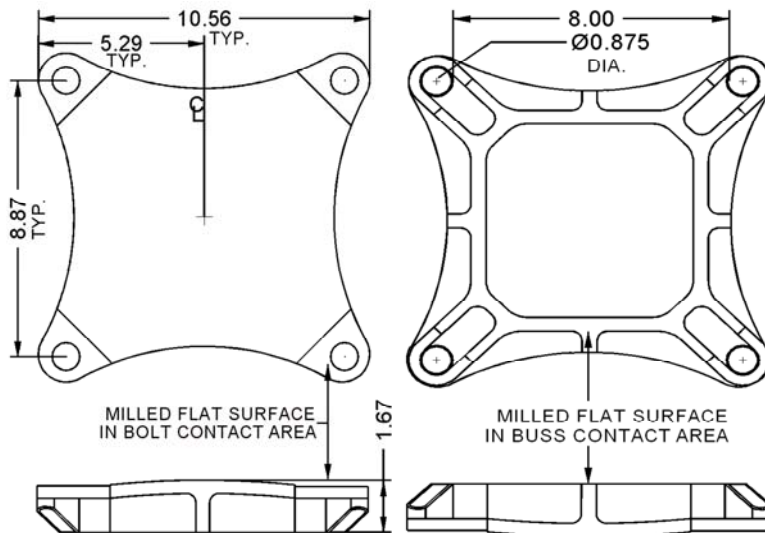
Part Number: NG0808



High Quality Buss Bar Clamps offered in pairs with or without Bolt Kits.

Used in Buss Duct Systems, expanding existing buss systems, or any situation where the bolted splice or bolted connection is not feasible, these Buss Clamps offer the solution.

Below is a link showing some typical installations. <http://www.swbsc.com/BusDuctBrochure.pdf>



Buss Bar Clamp Bolts Kits

Grade 8, 3/4-10, yellow zinc plated bolts. Available as a kit which includes; 4- Bolts, 4- Nuts, and 4- Pal Nuts.

Bolt / Nut are also available separately as a Bolt / and Nut set. Bolts and Nuts are not available separately unless special arrangements are made, please contact sales for more information.

Bolt Kits

LENGTH	7-1/2"	8-1/2"	9-1/2"
Bolt/Nut Kit	75BNK	85BNK	85BNK
4 Bolt Kit	75CBK	85CBK	95CBK

Buss Bar Clamp Part Number= NG0808

When ordering you must order two each in order to have a matching pair.

RECOMMENDED TORQUE VALUE: 80 FOOT POUNDS

Material Specifications

Navy 'M' Ingot	UNS C922	BRONZE CASTING
----------------	----------	----------------

Chemical Composition

(% max., unless shown as range or min.)

	Cu(1)(2)	Sn	Pb	Zn	Fe	Sb	Ni	S (incl Co)	P(3)	Al	Si	Mn
Min./Max.	86.-90	5.5-6.5	1-2.0	3-5.0	.25	.25	1.0	.05	.05	.005	.005	--
Nominal	88.0	6.0	1.5	4.5	-	-	-	-	-	-	-	-

Tensile Strength

Yield [PSI]	Tensile [PSI]	Elong [%]	R of A [%]
12,400	14,700	8.00	2.40

Southwestern Battery Supply Co. Inc.

401 Forest Gate Drive

Garland, Texas 75042

Phone (972)485-1602

FAX (972) 485-1532